

The picture is for reference only. The additional equipment and accessories displayed are not included in the standard package.

Distributor

Joident

www.joident.com

Manufacturer and After-sales service company

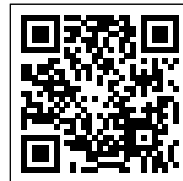
Ningbo Joident Electronics Technology Co., Ltd.

Email: info@joident.com

Tel: +86 574 8732 8073

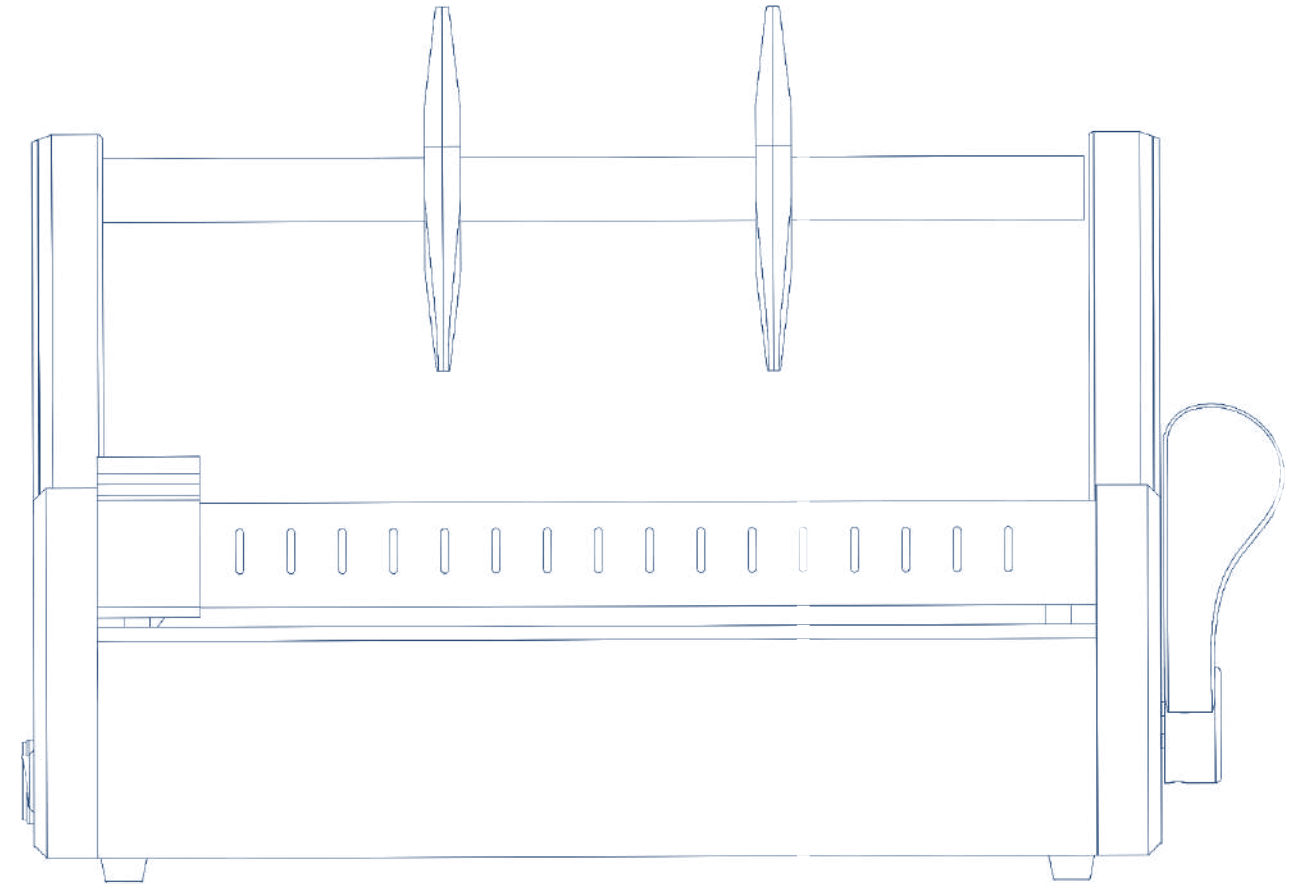
Fax: +86 574 8732 9073

No. 655-77 Qi Ming Road, Yinzhou District, Ningbo, Zhejiang, China



1st issue:03/2018 JOIDENT reserves the right to make any changes required for the purposes of product improvement

Medical Sealing Machine



Joident

Thermosealer

Medical Sealing Machine

A perfect sealing process, in the **[SEAL]**



Patent : ZL 2014 3 0354484.0

Product Description

JOIDENT sealing machine through microcomputer control, the temperature automatically replenishes the heat sealing system, provides medical grade sealing quality, can quickly seal and incision. 12mm sealing width can ensure that thesealed packaging equipment can be maintained for a long time in a sterile state. The sealing temperature and pressure can be adjusted automatically by means of a smart sealing system to ensure that the machine can still maintain high-performance sealing in the case of continuous use. It is a constant temperature control, never burning paper medical sealing machine. CE certification.



Joident 3

Space Setting

3 different assembly to meet different spaces ☺



• Wall type



• Desktop



• Separation type

Automatic beep ☺



The sealing machine composed of a front indicator and a sound reminder

Joident 4

Advanced Performance

Sealing quality performance



4 seconds 12mm wide perfect sealing performance

Leading Edge

Mermaid handle series



Mermaid handle series
Pros and cons are available,
ergonomic design

Sterilization bag Installation



At the same time can effectively seal
3volumes 10cm sealing bag
Maximum Load 6kgs

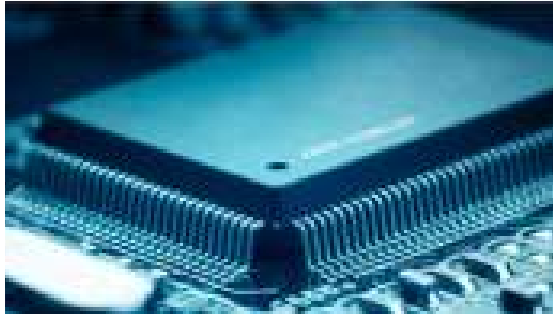
The longest can seal 300mm sealing paper

Safety slip operation



Safety slip operation
Hidden sliding blade to
protect the user from injury.

Exquisite Accessories



Microcomputer constant temperature control system

Sealing machine with microcomputer constant temperature control system, constant temperature control, automatic temperature control in the sealed area to provide the best heating control to ensure that under time changes can still maintain high quality performance. Sealing machine also has a thermal protection device and automatic energy-saving standby system.



Italian technology constant temperature heating tube

Italian technology constant temperature heating tube, temperature uniformity Technical parameters: constant temperature 200 degrees, diameter 12mm, total length 330mm, effective temperature length 300mm



Insulation body

The ability of high temperature 300 °C insulation, will not burn paste, will not be deformed.



Condensation system Optional

Sealing machine long-term work in the high temperature, the internal will produce the corresponding heat, Joident sealing machine condensation system for the temperature-sensitive users to provide a condensing system matching function.

Instrument Tray Size



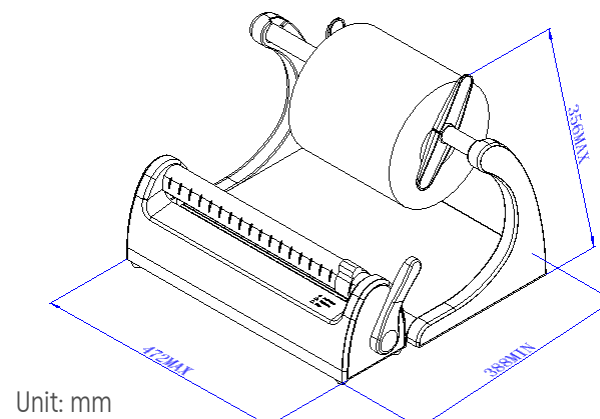
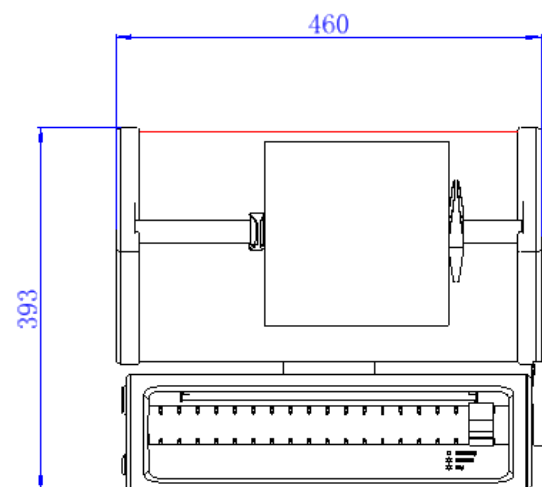
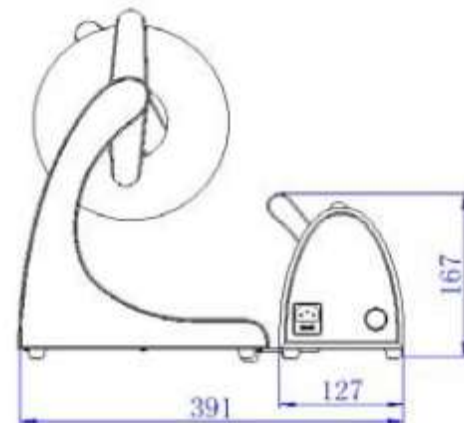
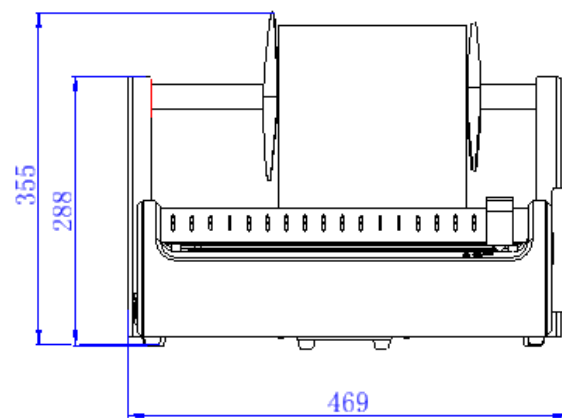
Packing Box Size



Technical Specifications

Voltage frequency	220V 50HZ	Packing width	12mm
Preheating time	2-3minutes	Longest seal	30cm
consumption Power	100W	Packaging size	350*350*535CM
Overheat protection	Yes	Gross weight	7.5KGS

Dimension Information



Unit: mm

Medical Sterilizing Bag Optional



200 meters / rolls	Weight	Order number
5CM	1.23kg	00502
7.5CM	1.85kg	07752
10CM	2.5kg	01002
15CM	3.7kg	01502
20CM	5.3kg	02002
25CM	6.25kg	02502
30CM	7.4kg	03002



Joident's production base located at China Science and Technology Park

National high-tech enterprise
High quality production,ensured by through certification and approval standards,such as:

ISO13485 :2016Medical equipment quality management system

Production complies with the following directive and standards:

EU EMC directive 2014/30/EU

EN61326-1:2013

EN61000-3-2:2014

EN61000-3-3:2013

EU LVD low voltage instruction 2014/35/EU

EN61010-1:2010